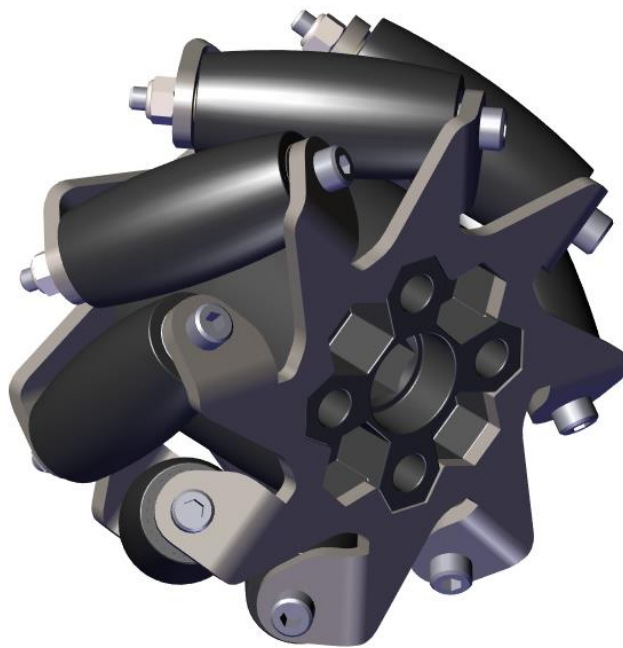


AndyMark[®]

3" BB Mecanum Wheel

(am-5502, am-5503)

Assembly Guide



Revision #	Date	Author	Purpose
0	6/23/2025	E. Scime	Original Document



P. Yeung	6/24/25
Reviewer Name	Date Reviewed

Need help with an AndyMark product? Contact us at support@andymark.com.

Parts List

Component	Part Number	QTY	Photo
3" BB Mecanum Plate	am-5501R_plate OR am-5501L_plate	2	
BB Mecanum Hub	am-5502_hub OR am-5503_hub	1	
BB Mecanum Roller	am-3680	8	
BB Wheel Bearing	am-3681	16	
Brass Tube Axle	am-4764	8	
Screw M3-0.5 x 45mm	am-1659	8	
Nylock Nut, M3-0.5	am-1023	8	

Tools List

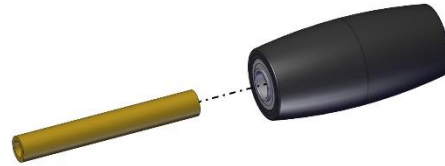
Component	Part Number	QTY	Photo
2.5mm Allen Driver	am-3724	1	
5.5mm Nut Driver	am-1287	1	

Roller Assembly

Step 1: Press one BB Wheel Bearing (am-3681) into either side of the BB Mecanum Roller (am-3680).



Step 2: Insert one Brass Tube (am-3681) into either side of the BB Mecanum Roller Assembly.



Note: The outer race of the bearing should be flush with the end of the roller.

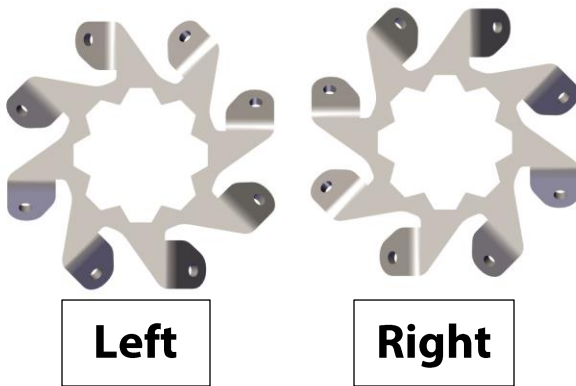
Step 3: Repeat for each of the 8 rollers on the wheel.



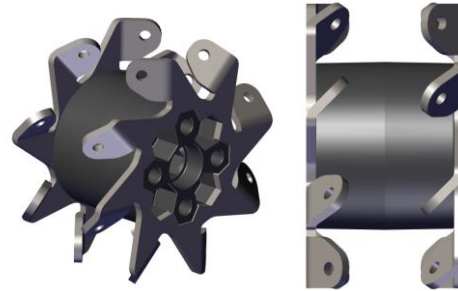
8X

Note: A 4-wheel drive Mecanum Chassis requires 2 left wheels and 2 right wheels.

Step 1: Locate two left **OR** two right plates. Each wheel will use two of the same plates on either side.

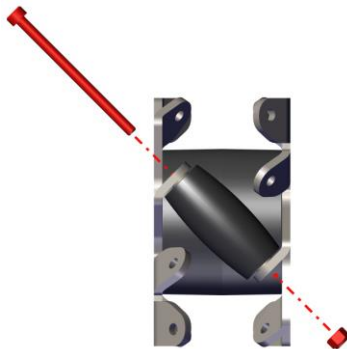


Step 2: Place one BB Mecanum Plate on either side of the BB Mecanum Hub.



Note: Arrange plates with flanges bent in towards the hub.

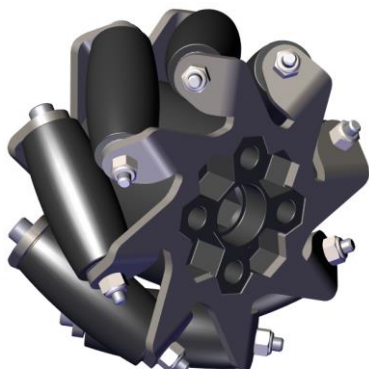
Step 3: Place one Roller Assembly between a plate tab pair and loosely secure using one M3-0.5 X 45mm Socket Head Screw (am-1659) and one M3 Nylock Nut (am-1023).



Step 4: Repeat until all 8 rollers are in place. It is helpful to assemble rollers across from each other first to help hold the wheel together while assembling.



Step 5: Tighten all M3-0.5 X 45mm Socket Head Screws and M3 Nylock Nuts to lock all the wheel components in place.



Step 6: For a 4-wheel drive Mecanum Chassis, build two left wheels and two right wheels.

